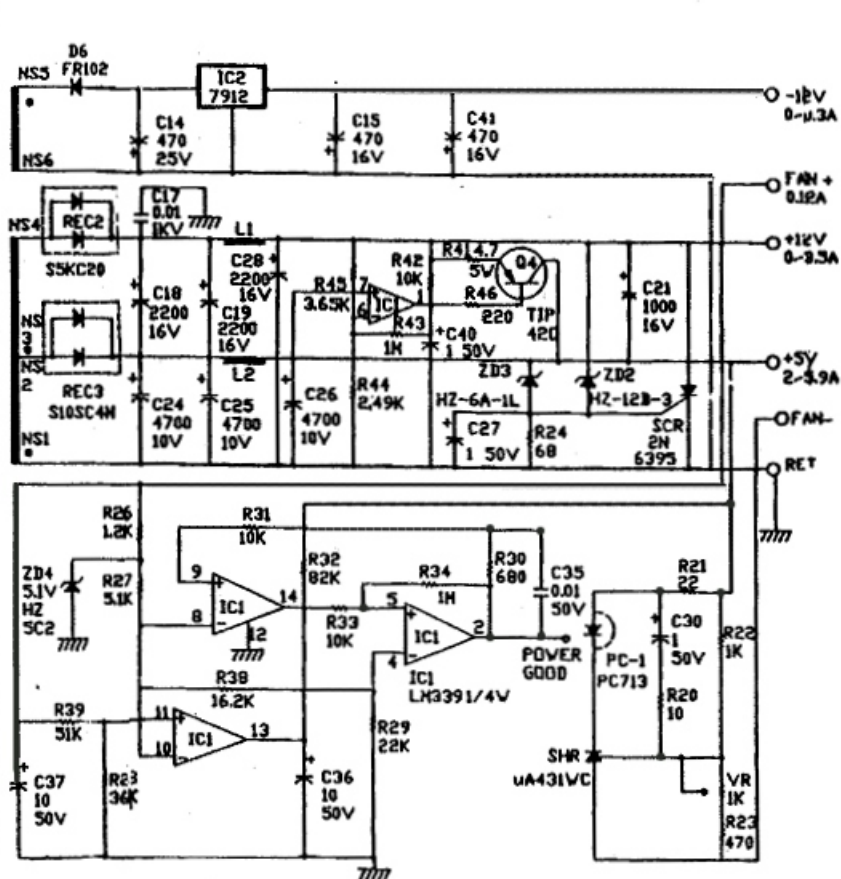


1. ALL RESISTORS ARE 1/4W ±5% UNLESS OTHERWISE INDICATED.
2. ALL RESISTORS ARE IN OHM & CAPACITORS ARE IN UF UNLESS OTHERWISE INDICATED



POWER SUPPLY PC10-III  
 #312637-02  
 (PHIHONG PSM-763)

PSM-1123

AC INPUT: 115V/2.8A  
 230V/1.3A  
 60HZ/50HZ  
 DC OUTPUT: +5V 59A  
 +12V 3.5A  
 -12V 0.3A



PHIHONG  
 MADE IN TAIWAN

